

Welcome to **HEARKEN**

Actuators and Controls

WECHAT

WEB

**Hearken
Here We
Can**

The Trusted, Passionate and focused Partner in Valve Automation

At HEARKEN FLOW, The founding principle of Hearkenflow is simple: to Listen our customers needs first, to develop the innovative valve actuators solutions , to meet the unique needs of our customers, Along the way, To help our customers to solve the problems in Valve Automation. We are growing our brand in Pneumatic and Electric Actuators, Accessories..



Experienced team



Large inventory



Convenient consultation

WHY WE ARE DIFFERENT

We offer a complete valve automation solution by the applications experience and customization capabilities, with an experienced support team to guide you in selection, installation, and project support. In addition we maintain an extensive supply of product inventory on hand so that we can quickly fulfill orders and reduce wait times. Our sales and support staff are readily available and accessible so that customers get the answers they need quickly.

THE TARGET WE ARE PURSUING



High-quality



low cost



Reliable solution

- To built A strong Reputation in Providing Quality, Cost Effective , Reliable And Robust Performance Solutions for Valve Automation,
- Included Pneumatic Actuators, Electrically Actuators, Actuated Valves.



COMMITMENT TO QUALITY

At HEARKEN FLOW means performance, All products manufactured by HEARKEN FLOW are warranted against defects in material and workmanship for a period of 18 months from the day of startup. Each of our products are tested at the factory. we are confident that our products meet or exceed all applicable standards before they ever leave our facility. We are an ISO 9001-2008 certified company. Our Valve Actuators Has Applied for SIL3 Certificate, ATEX Certificate, CE, Explosion-proof Certificate, IP68 Weather proof etc....

HAM Series Manual Worm Gear Actuator

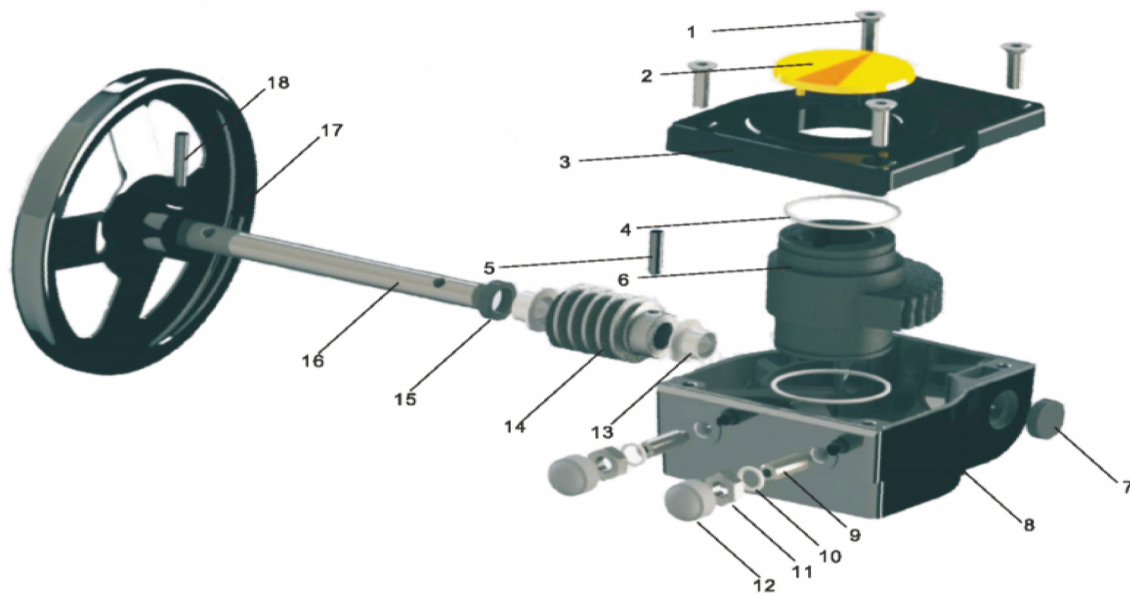
Description



This is a right-angle rotating gear driver, using aluminum alloy precision die-casting shell, suitable for the cock of ball valve and butterfly valve, it is driven by worm gear and has self-locking function, and adopts tapered roller bearing to make The operation of the gearbox is more convenient and efficient. The stem nut can be made into a solid or separate structure according to customer requirements, and the mounting flange adopts the ISO5211 international standard, so it can be more easily installed with the valve. The overall protection level can reach IP67, and for some special environments, it can also be made into IP68 level.

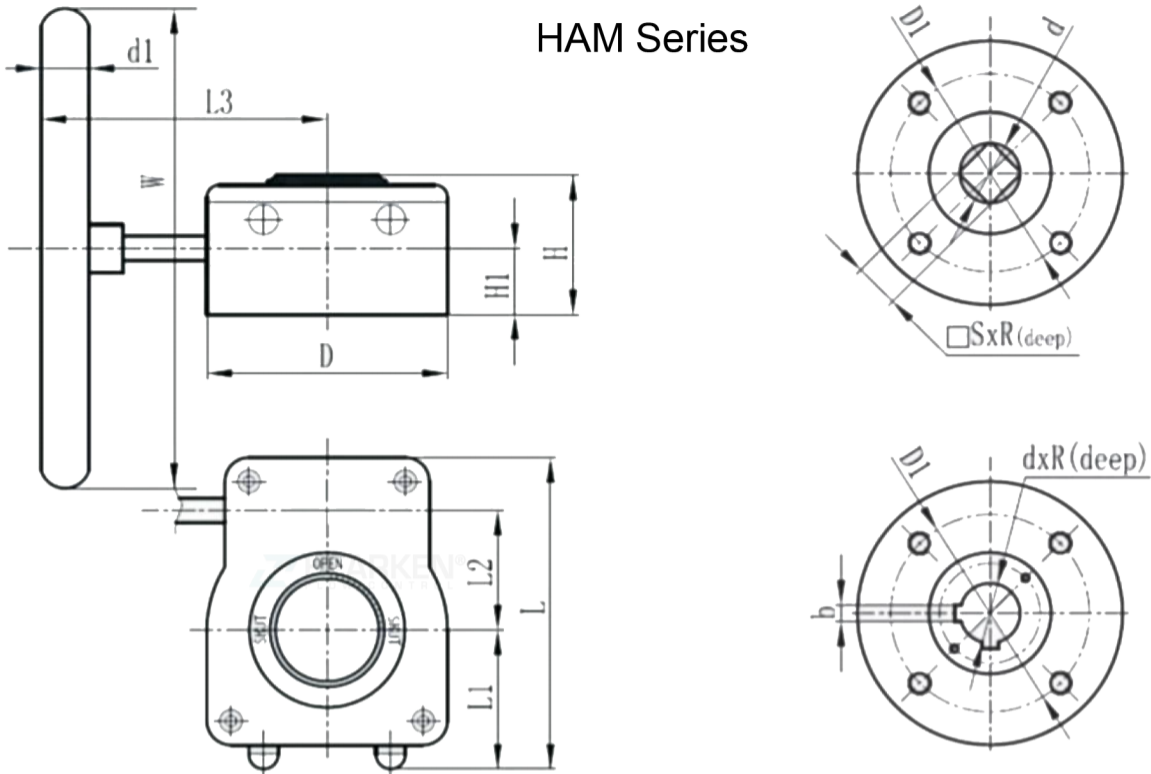


Materials and Parts



NO.	Item	Material
1	Bolt	SS304
2	Pointer	ABS resin
3	Cover	Aluminium
4	O-Ring	NBR70
5	Pin	Steel black
6	Wom gear	Ductile iron
7	Rear seal	NBR 70
8	Body	Aluminium
9	Adjusting bolt	Steel black
10	Adjusting bolt gasket	SS304
11	Adjusting nut	SS304
12	Adjusting nut sheath	NBR 70
13	Bearing	Powder metallurgy
14	Worm	Carbon steel 45#
15	Front seal	NBR70
16	Rotating shaft	SS304
17	Hand wheel	Carbon steel polyster coating
18	Pin	Steel black

HAM Series



Model	HAM1(19070)	HAM2(19092)	HAM3(19102)	HAM4(19125)	HAM5(19140)	
Technical-parameters						
Ratio	40:1	37:1	36:1	36:1	50:1	
Output torque(N.m)	180	300	540	675	1500	
Stemdia, d(mm)	30	32	43	43	54	
Mid-B-vaive(EPDM)DN	DN32-100	DN100-200	DN200-250	DN250-350	DN350-400	
D-eccentric-B-valve(EPDM)DN						
Weight(Kg)	1.2	2	2.8	4.8	11	
Connection-size						
Flange dia-D(mm)	80	100	120	142	175	
PCD	D1(ISO5211)	50/70	70/90	70/102	102/125	102/125/140
		4-M6X10/4-M8X12	4-M8X12/4-M10X12	4-M8X10/4-M10X15	4-M8X10/4-M12X18	4-M8X10/4-M16X24
S		8/9/11/14/17	9/11/14/17	17/19/22	19/22/24	22/24/27
2-b		--	--	--	--	--
R(deep)		--	--	--	--	--
Appearance-size						
L		115	130	150	180	220
L1		50	58	65	80	95
L2		42	50	60	60	78
H		48	58	58	74	84
H1		19	18	18	21	51
Handwheel	d1	20	20	20	20	25
	L3	160	160	215	225	325
	W	140	200	250	300	400

HARC Series Manual Worm Gear Actuator

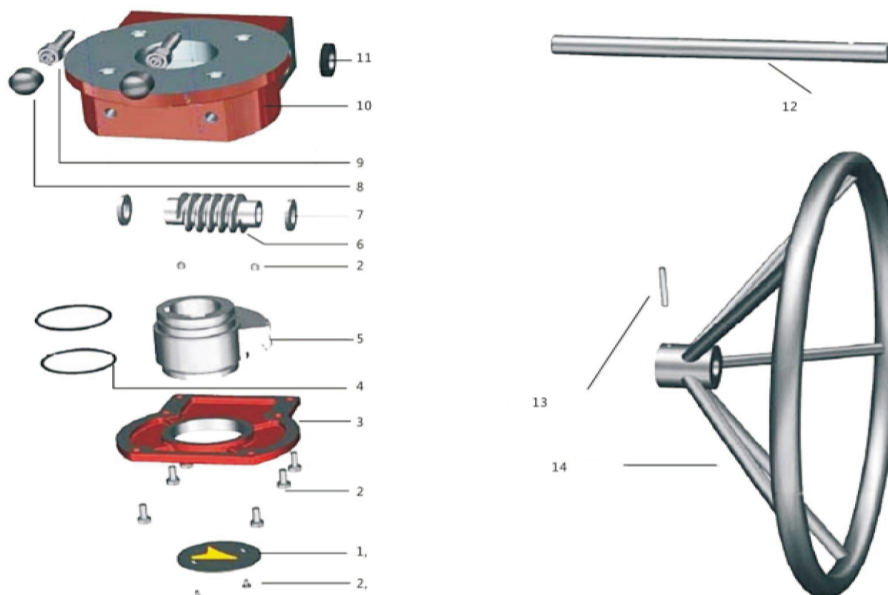
Description



This is a right-angle rotating gear drive with a precision cast housing. It is suitable for the rotary drive of the dry ball valve butterfly valve. It is driven by the worm gear pot rod and has a self-locking function. At the same time, it adopts tapered roller bearings, which makes the operation of the gearbox more convenient and efficient. The stem nut can be made into a solid or separate structure according to customer requirements, and the mounting flange adopts the ISO5211 international standard, so it can be more easily installed with the valve. The overall protection level can reach IP67, and for some special environments, it can also be made into IP68 level.

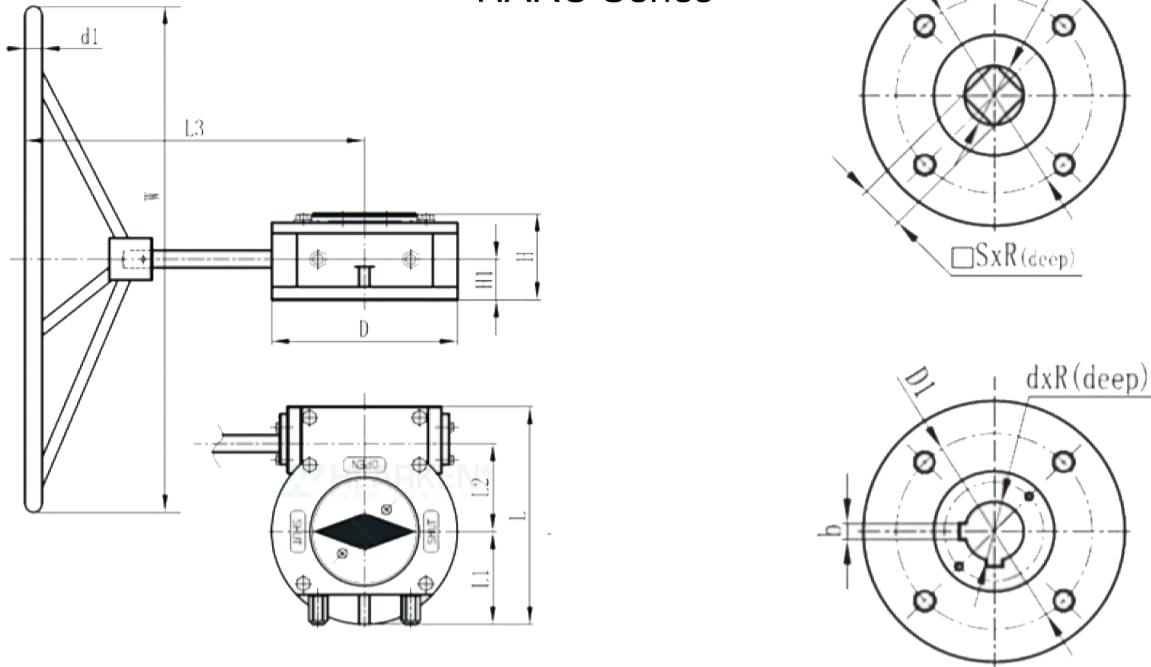


Materials and Partlist



NO.	Item	Material
1	Arrow sign board	Aluminum
2	Bolt	SU304
3	Coverplate	EN-GJS-450-10
4	O-Ring	NBR70
5	Worm gear	EN-GJS-450-10
6	Worm	BS970 080M40
7	Plane bearing	Bearing steel
8	Bolt cap	Rubber
9	Bolt and nut	Stainless steel A4
10	Body	EN-GJS-450-10
11	Seal ring	NBR
12	Rotating shaft	Carbon steel 45# SU304
13	Pin	Carbon steel 45#
14	Hand wheel	Q235

HARC Series

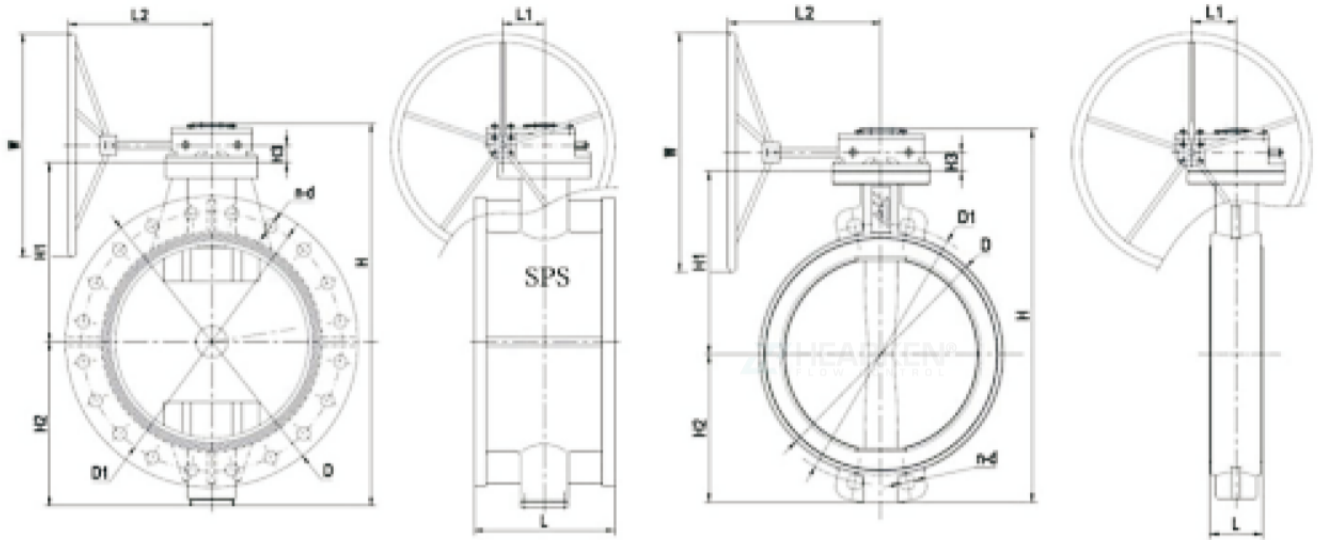


Model	HARC10	HARC11	HARC12	HARC13	HARC14	HARC15	HARC16	HARC17	HARC18	HARC19
Technical-parameters										
Ratio	38:1	55:1	52:1	208:1	208:1	208:1	312:1	702:1	705:1	705:1
Output torque(N.m)	1620	2640	4160	6800	6800	6800	12500	17000	32000	32000
Stem dia,d(mm)	50	50	60	60	65	65	80	100	120	150
Mid-B-vaive(EPDM)DN	DN400-450	DN500	DN600	DN700	DN750	DN800	DN900-100	DN1100-1200	DN1300-1400	DN150-1600
D-eccentric-B-valve(EPDM)DN	DN400	DN450	DN500	DN600	DN700	DN800	DN900-100	DN1200	DN1400	DN1600
Weight(Kg)	19.9	26.4	41	49.4	50	50	77	98	207	200

Connection-size											
Flange dia-D(mm)	200	285	285	285	285	285	340	340	470	470	
PCD	D1(ISC521)	140	140	165	254	254	254	254	254	298	298
		4-M16	4-M20	8-M16	8-M16	18-M16	8-M16	8-M16	8-M16	8-M20	8-M20
S	/	/	/	/	/	/	/	/	/	/	/
2-b	14	18	18	18	20	20	22	28	32	36	
R(deep)	76	105	105	105	105	105	119	119	163	163	

Appearance-size											
L	226	258	323	390	390	390	469	574	716	716	
L1	100	110	143	143	143	143	170	170	235	235	
L2	86	105	130	130	130	130	182	182	256	256	
H	93	102	123	123	123	123	139	139	183	183	
H1	42	48	55	55	55	55	59	59	70	70	
Handwheel	d1	20	20	25	25	25	25	25	30	30	30
	L3	381	402	447	447	447	447	500	556	589	589
	W	600	600	700	500	500	700	600	600	700	700

Copyright ownership belongs to shall not be reproduced, copied, or used in other ways without permission otherwise we will have the right to pursue legal responsibilities.



General Specifications (Double Eccentric Butterfly Valve Pn16)

DN	L		H	H1	H2	D	D1	n-d	1	L2	W	REDUCTOR
	S13	S14										
400	216	310	813	360	360	Φ580	Φ525	16-Φ30	86	381	600	HARC10
500	229	350	1031	448	4460	Φ715	Φ650	20-Φ33	130	447	700	HARC12
600	267	390	1148	520	505	Φ840	Φ770	20-Φ36	130	447	500	HARC13
700	292	430	1266	579	564	Φ910	Φ840	24-Φ36	130	447	500	HARC14
800	318	470	1418	655	640	Φ1025	Φ950	24-Φ39	130	447	700	HARC15
900	330	510	1564	720	705	Φ1125	Φ1050	28-Φ39	182	500	600	HARC16
1000	410	550	1633	754	740	Φ1255	Φ1170	28-Φ42	182	500	600	HARC16
1200	470	630	1867	873	855	Φ1485	Φ1390	32-Φ48	182	556	600	HARC17
1400	530	710	2221	1025	1013	Φ1685	Φ1590	36-Φ48	256	589	700	HARC18
1600	600	790	2556	1190	1183	Φ1930	Φ1820	40-Φ56	256	589	700	HARC19

General Specifications (Wafer Butterfly Valve Pn16)

DN	L	H	H1	H2	D	D1	n-d	L1	L2	W	REDUCTOR
100	52	368	187	111	153	180	4-Φ18	40	160	140	HAM1/HAM2
125	56	401	206	125	182	210	4-Φ18	50	160	200	HAM2
150	56	419	215	134	209	240	4-Φ23	50	160	200	HAM2
200	60	500	255	175	270	295	4-Φ23	60	215	250	HAM3
250	68	547	248	213	320	355	4-Φ27	60	215	300	HAM3/HAM4
300	78	618	280	244	374	410	4-Φ27	71	225	300	HAM4
350	78	638	300	270	426	470	4-Φ27	71	225	300	HAM4
400	102	762	340	304	488	525	4-Φ30	86	381	600	HAM5/HARC10
450	114	829	390	346	538	585	4-Φ27	86	381	600	HARC10
500	127	927	440	385	593	650	4-Φ30	105	402	600	HARC11
600	154	1088	507	458	695	770	4-Φ33	130	447	700	HARC12
700	165	1223	575	525	795	840	4-Φ33	130	447	500	HARC13
750	190	1293	600	550	860	90	4-Φ33	130	447	500	HARC14
800	190	1371	655	593	911	950	4-Φ36	130	447	700	HARC15
900	203	1464	685	640	1010	100	4-Φ36	182	500	600	HARC16
1000	216	1596	754	703	1124	1170	4-Φ39	182	500	600	HARC16
1100	216	1719	815	765	1220	1270	4-Φ39	182	556	600	HARC17
1200	254	1659	873	848	1324	1390	4-Φ45	182	556	600	HARC17
1400	360	2173	1025	965	1530	1590	4-Φ45	256	589	700	HARC18

Copyright ownership belongs to **HEARKEN®** shall not be reproduced, copied, or used in other ways without permission otherwise we will have the right to pursue legal responsibilities.